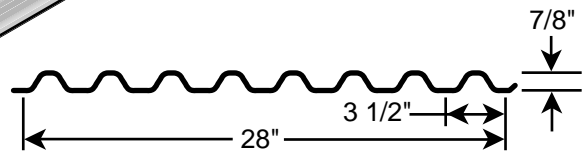
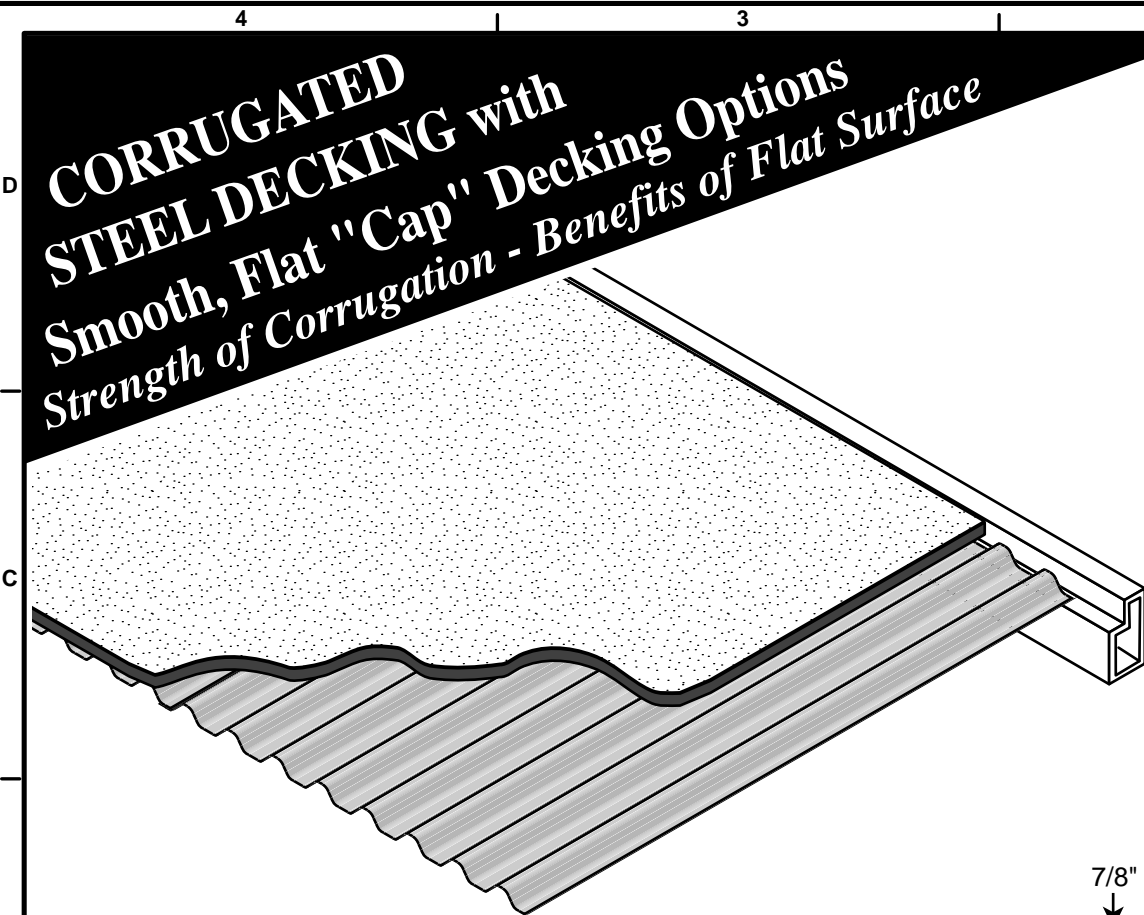
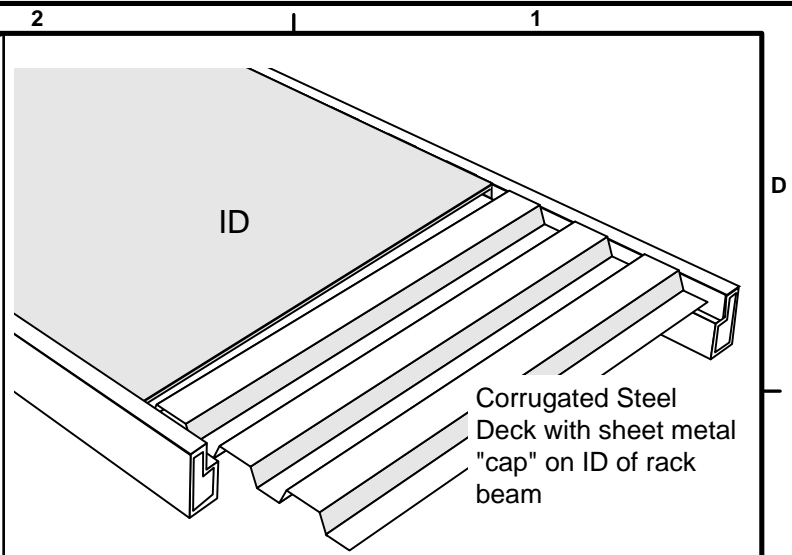
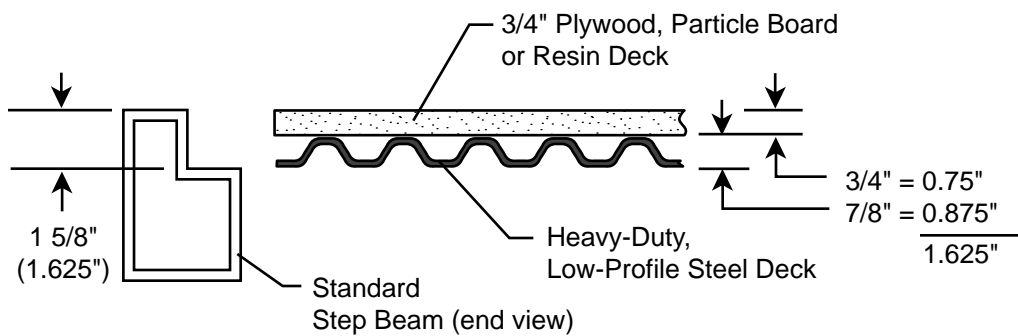


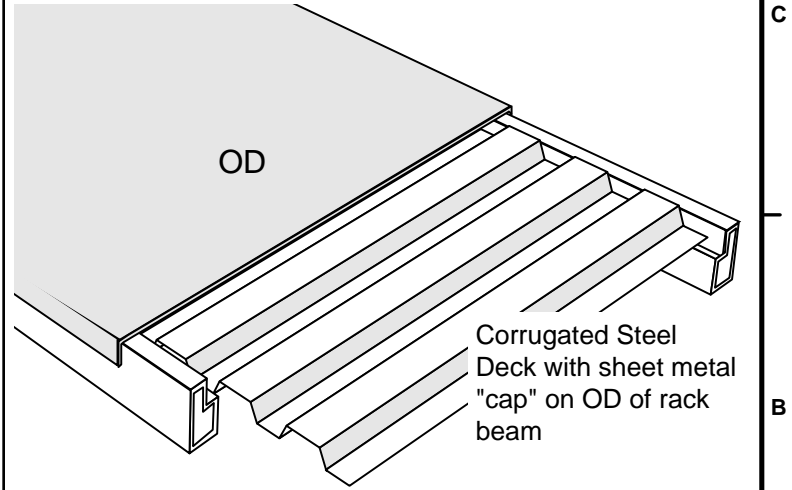
CORRUGATED STEEL DECKING with Smooth, Flat "Cap" Decking Options
Strength of Corrugation - Benefits of Flat Surface



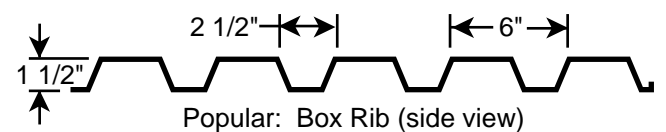
Low-Profile "HD" (side view)



Corrugated Steel Deck with sheet metal "cap" on ID of rack beam



Corrugated Steel Deck with sheet metal "cap" on OD of rack beam



Popular: Box Rib (side view)

Rack Deck by DACS
 Distributed By: Williamsburg, VA